

SafeTech Connect 2422

Leakage protection with monitoring function

The SafeTech Connect leakage protection is installed at the point of entry downstream of the water meter.

The SafeTech Connect continuously measures flow, pressure and temperature and determines the hardness range of the water. If the unit detects unusual consumption and the set values are exceeded the SafeTech shuts off the water supply immediately. The micro leakage test allows to detect even the smallest leaks. During a self-learning phase it monitors individual consumption patterns and allows to easily adjust the settings.

Additionally the SafeTech Connect can be linked with several wireless floor sensors SafeFloor Connect.

Technical specifications

Min. operating pressure	2 bar
Max. operating pressure	16 bar
Max. operating temperature	60 °C
Fluid	potable water
Mounting position	any
Flow rate	
DN 20	6.4 m ³ /h at Δp 1.0 bar
DN 25	7.3 m ³ /h at Δp 1.0 bar
DN 32	7.7 m ³ /h at Δp 1.0 bar
Electricity supply	12V DC
Battery	1 x 6LR61 (9V Block)
Buffer battery (on board)	1 x CR 2032
Standard wireless protocol	WiFi
Network support	TCPIP/IPv4, upgradable to TCPIP/IPv6 MQTT via Port 8883
Protection class	IPX3

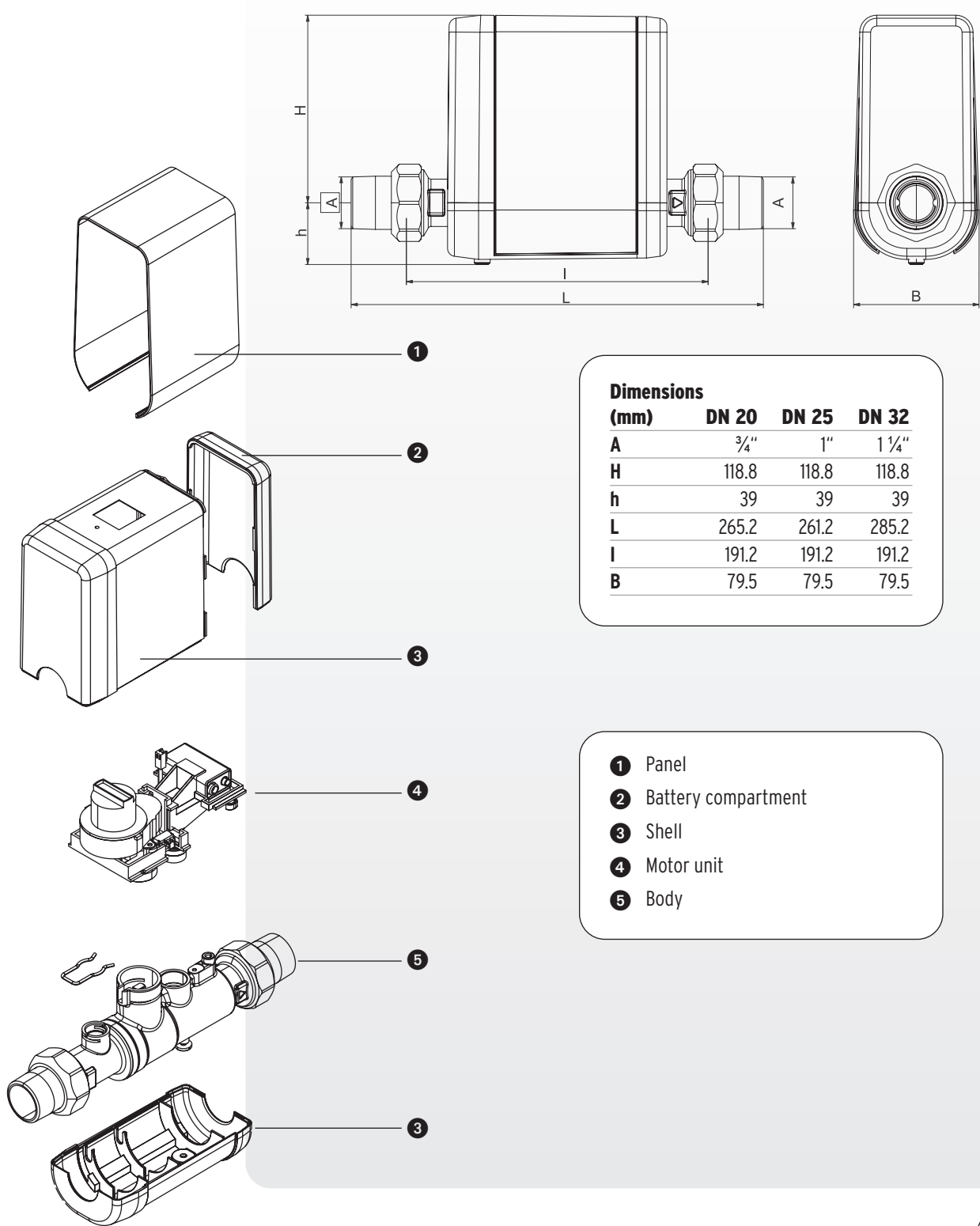
Order-No.

SafeTech Connect	DN 20	2422.20.200
	DN 25	2422.25.200
	DN 32	2422.32.200

- The free SYR app enables full function control with many features
- Notifications via e-mail in online mode
- Vacation monitoring and special absence function
- As 'swarm' for the protection of line sections, apartment buildings and larger objects
- Can control multiple SafeFloor sensors
- Motor-controlled shut-off valve without pressure surges
- Emergency opening function
- In case of power failure emergency operation by battery (max. 4 weeks)
- Determines water hardness, measures water pressure and temperature
- Installation directly in the pipeline - robust, sturdy brass screw fitting
- Several user profiles adjustable



Spare parts	Order-No.
DC built-in socket with wire	2422.00.905
Pressure sensor with wire	2422.00.902
Conductivity measuring cartridge	2422.00.901
Reed contact	2422.00.903
Strainer	2422.00.900
Temperature sensor	2422.00.904



Dimensions (mm)

	DN 20	DN 25	DN 32
A	3/4"	1"	1 1/4"
H	118.8	118.8	118.8
h	39	39	39
L	265.2	261.2	285.2
I	191.2	191.2	191.2
B	79.5	79.5	79.5

- 1 Panel
- 2 Battery compartment
- 3 Shell
- 4 Motor unit
- 5 Body

