



JETFI 1998 Backwash filter

High-quality impeller filter. Flange made of high-quality brass alloy.

Technical specifications

Min. operating pressure	2 bar
Max. operating pressure	16 bar
Max. operating temperature	30 °C
Fluid	potable water
Flow rate	
DN 20	1.6 m ³ /h at Δp 0.2 bar
DN 20	2.6 m ³ /h at Δp 0.5 bar
Mounting position	main axis vertical tundish facing downwards
Mesh width	40 μ m

Order-No.

JETFI, DN 20	1998.20.200
JETFI, DN 25	1998.25.200

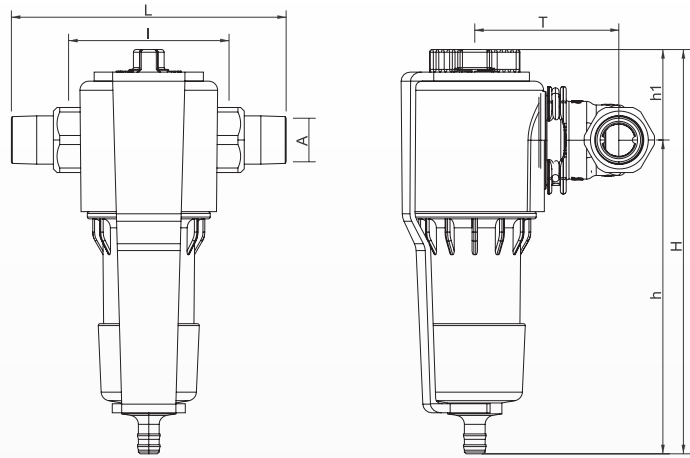
Spare parts

Order-No.

Bracket	1998.00.900
Flange cover	1998.00.903

**Dimensions
(mm)**

A	R 3/4"
H	224
h	174
h1	50
T	80
L	152
l	90



1 Bracket

